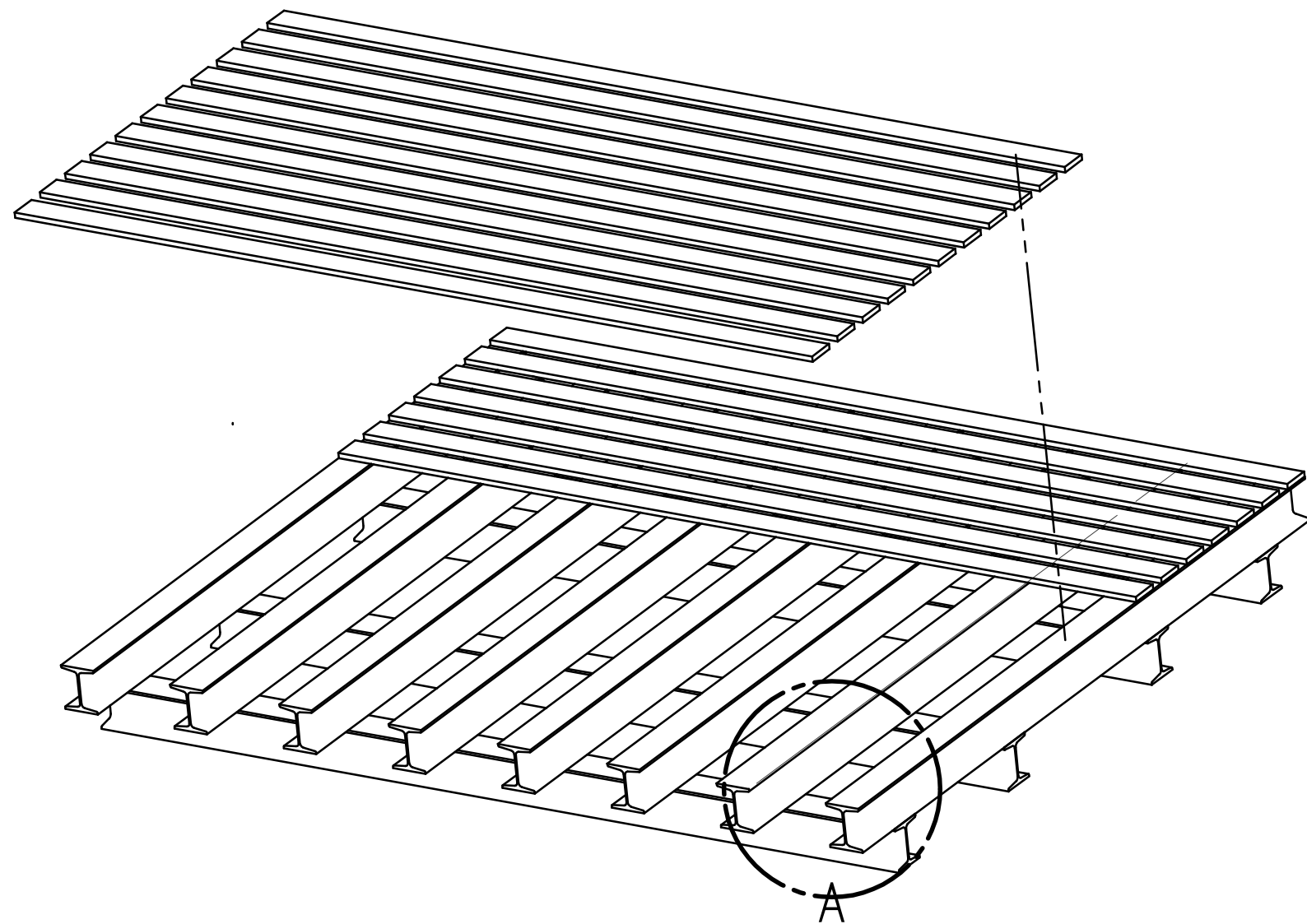


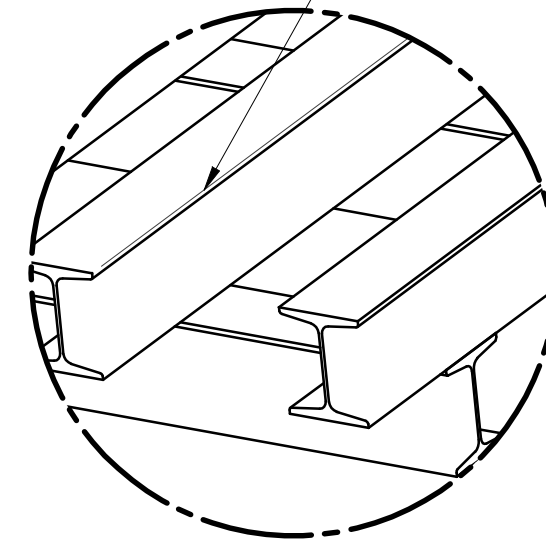
FRONT

THIS DOCUMENT IS FOR THE SOLE USE OF INDIVIDUALS AND IS NOT INTENDED TO BE COPIED OR DISTRIBUTED WITHOUT PERMISSION FROM SPIRAL ARTS, INC.

975 DAY TANK	SPIRAL ARTS		
	FUTON		
LICENSED TO: PUBLIC DOMAIN		DATE 9/13/04	
File: Futon.dft		Copywrite Spiral Arts 2002	Drawn by Fred Metz



WELD WITH NO MORE THAN 3/4" HOT WELD ON EACH SIDE OF I-BEAM FLANGE



DETAIL A

THIS DOCUMENT IS FOR THE SOLE USE OF INDIVIDUALS AND IS NOT INTENDED TO BE COPIED OR DISTRIBUTED WITHOUT PERMISSION FROM SPIRAL ARTS, INC.

975 DAY TANK	<i>SPIRAL ARTS</i>		
	FUTON - SLAT DETAIL		
LICENSED TO: PUBLIC DOMAIN		DATE 9/13/04	
File: Futon.dft		<small>Copywrite Spiral Arts 2002</small>	Drawn by Fred Metz