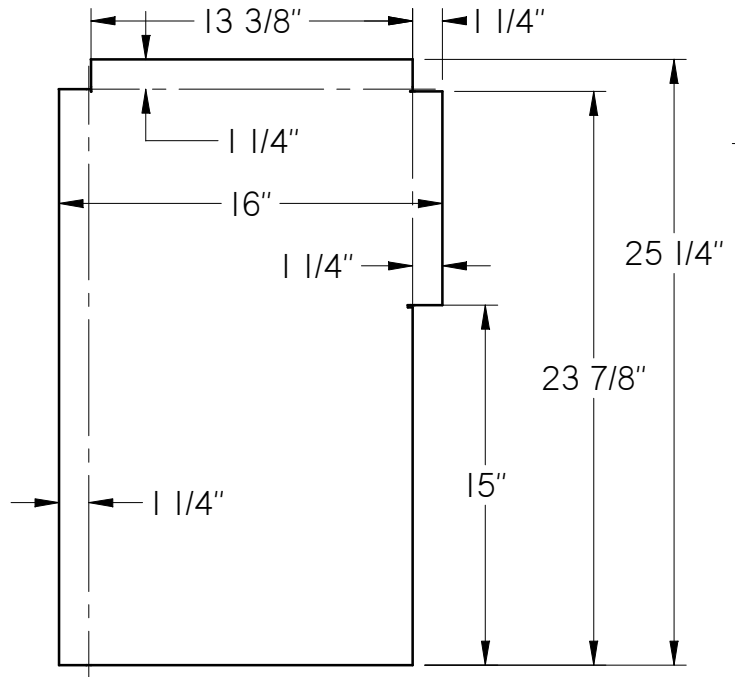
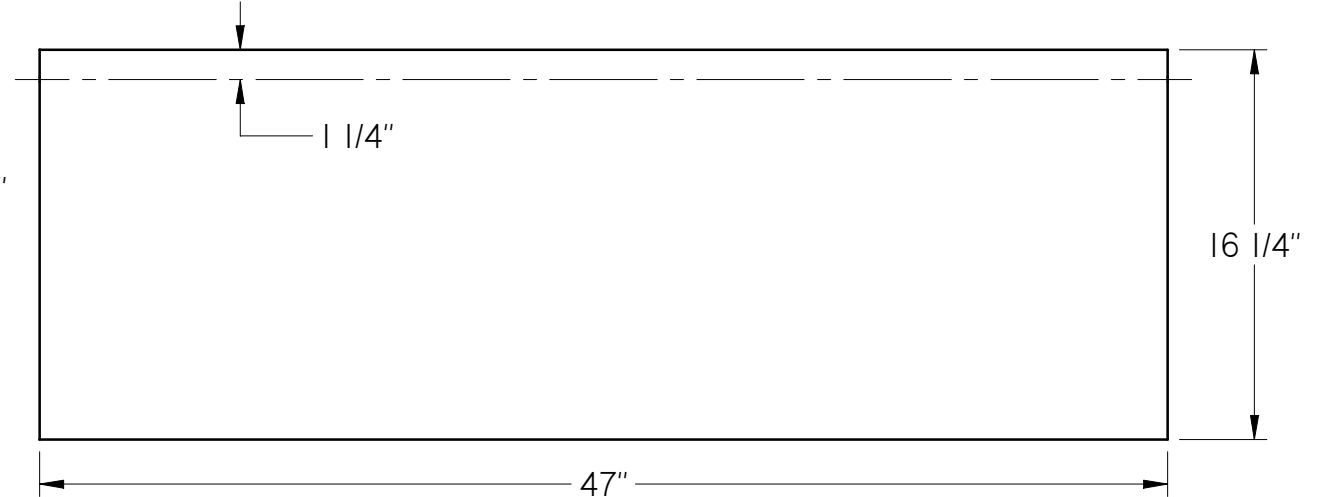


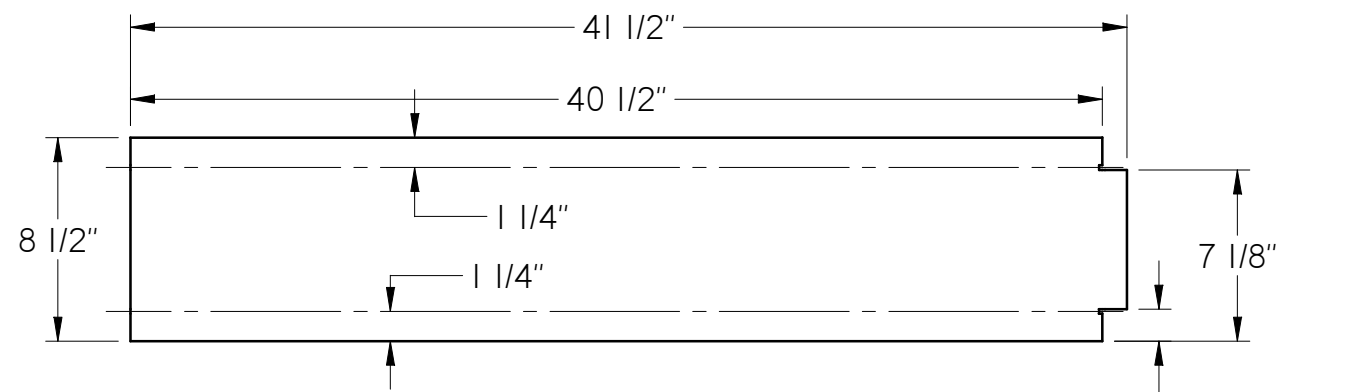
BURNER SIDE LEFT



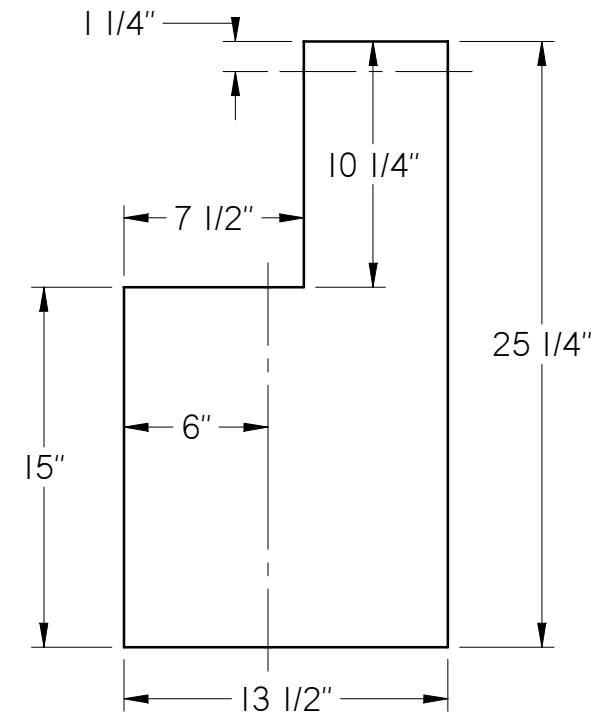
FRONT RIGHT



TOP RIGHT SIDE

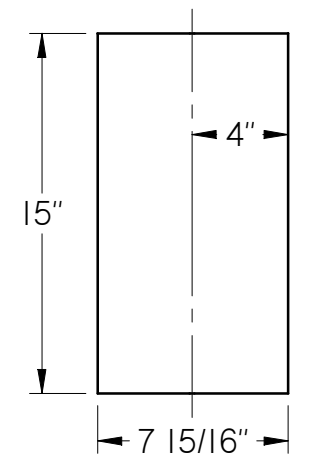


OVER DOOR



TOP REAR RIGHT CORNER

MAKE ALL BENDS DOWN ON
DOTTED CENTER LINES

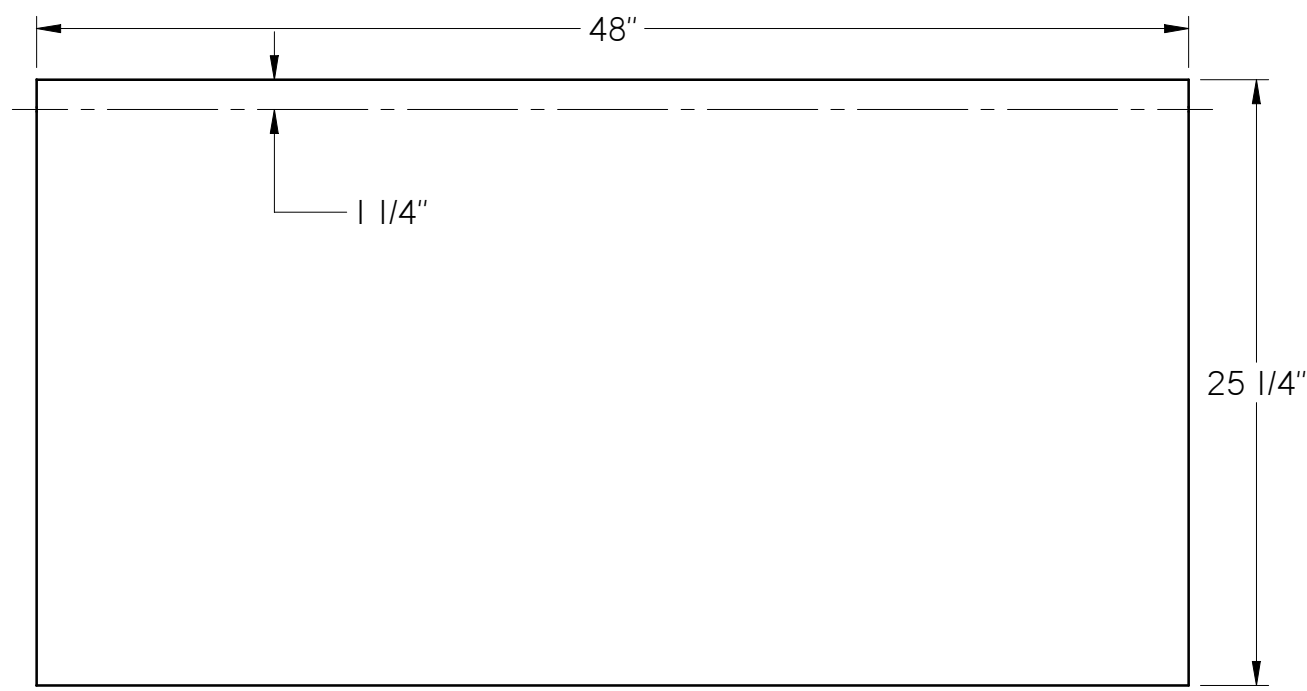


TOP FRONT RIGHT CORNER

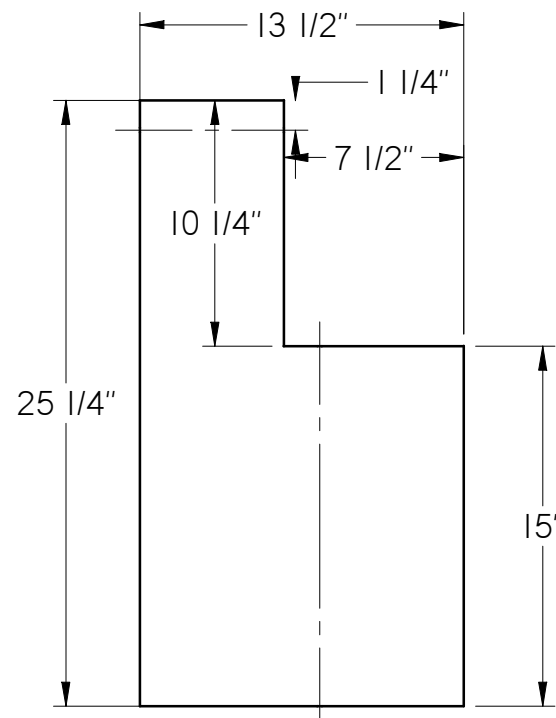
THIS DOCUMENT IS FOR THE SOLE USE OF INDIVIDUALS
AND IS NOT INTENDED TO BE COPIED OR DISTRIBUTED
WITHOUT PERMISSION FROM SPIRAL ARTS, INC.

ALL MATERIAL IS 5052 .063W ALUMINUM

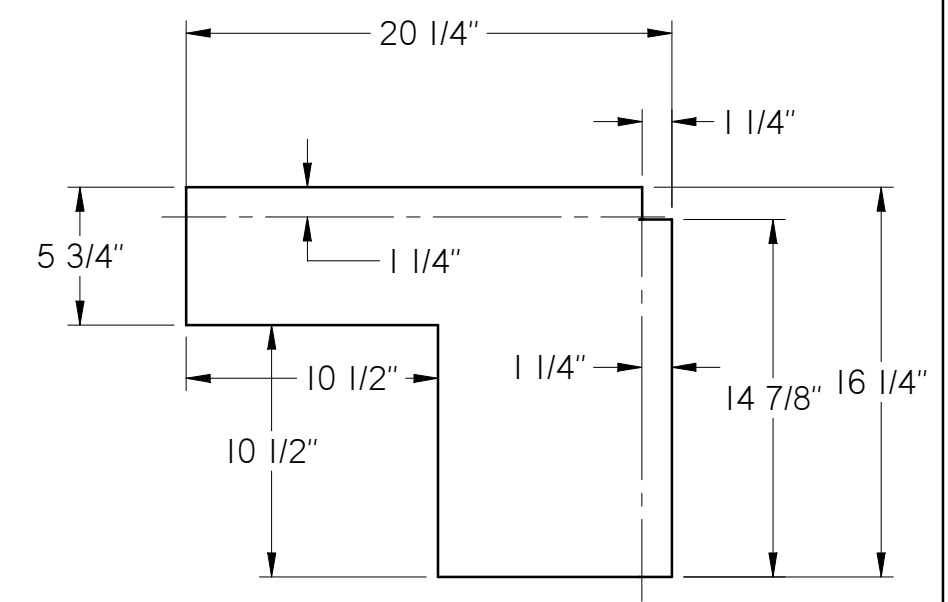
975 DAY TANK	SPIRAL ARTS		
	ALUMINUM LAYOUT SHEET 1 of 3		
LICENSED TO: PUBLIC DOMAIN		Date 9/13/2005	
File: aluminum.dft		Copyright Spiral Arts 2002	Drawn by Fred Metz



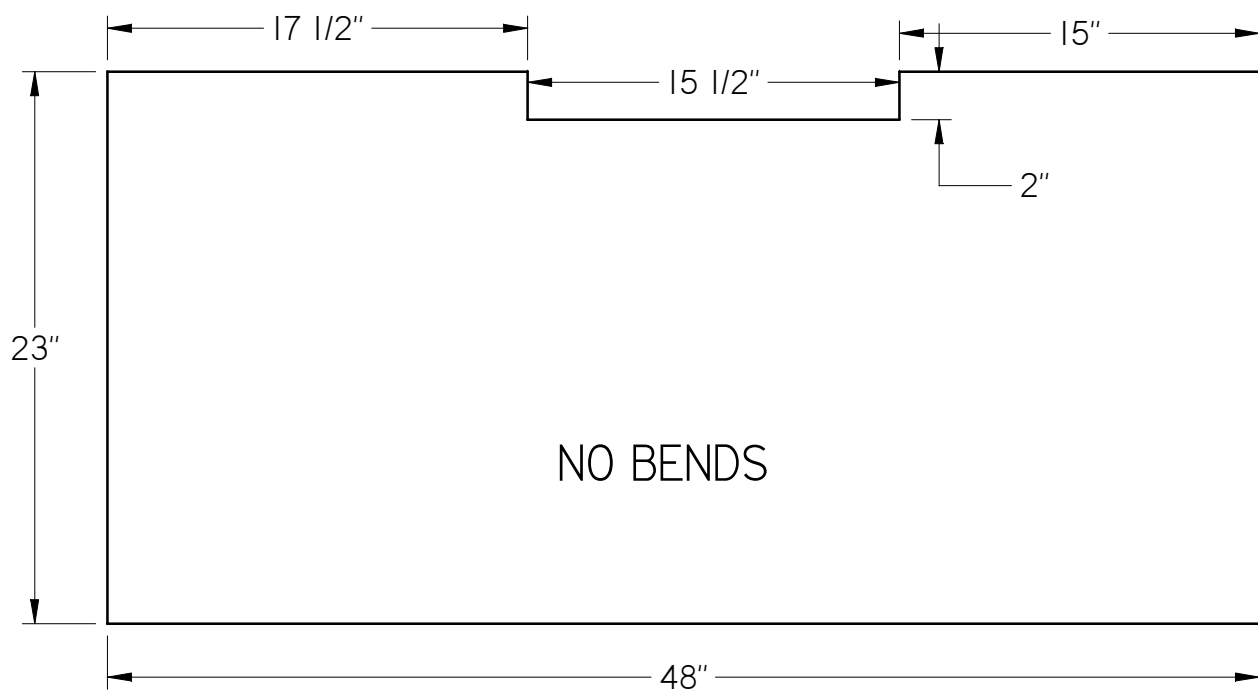
TOP REAR



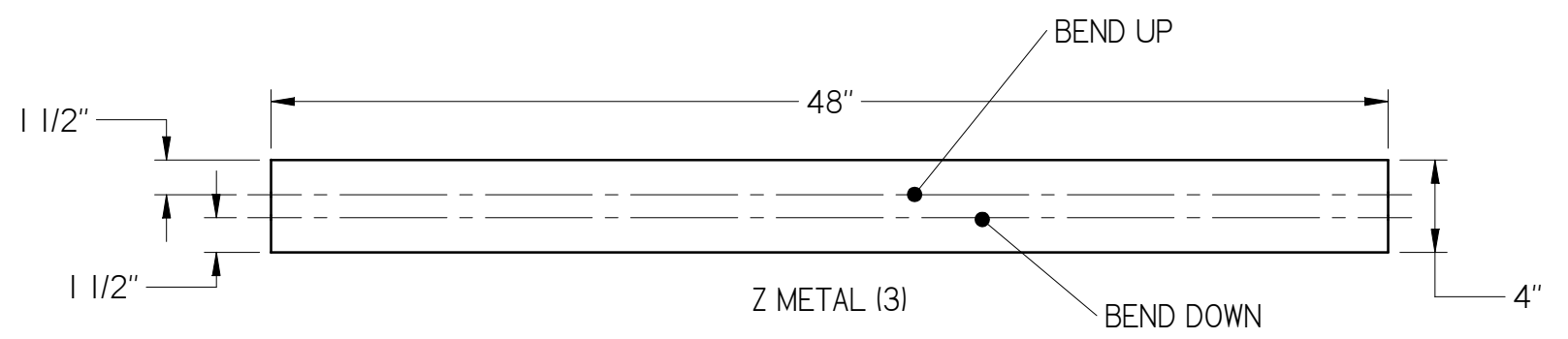
TOP LEFT REAR CORNER



BURNER SIDE NEXT TO FLUE



LOWER FRONT

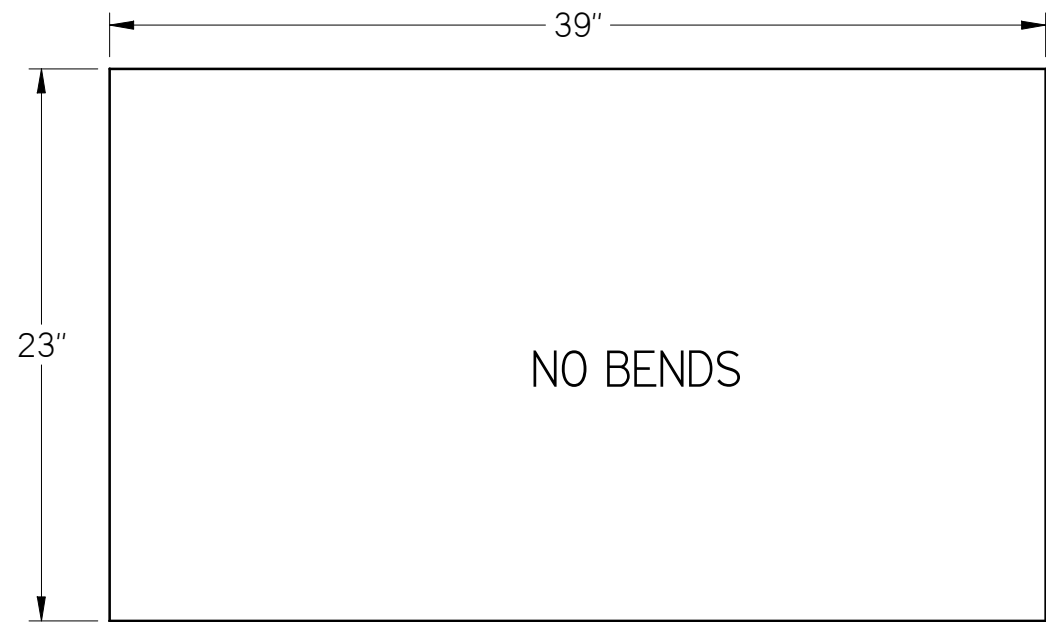


MAKE ALL BENDS DOWN, EXCEPT FOR Z-METAL, ON DOTTED CENTER LINES

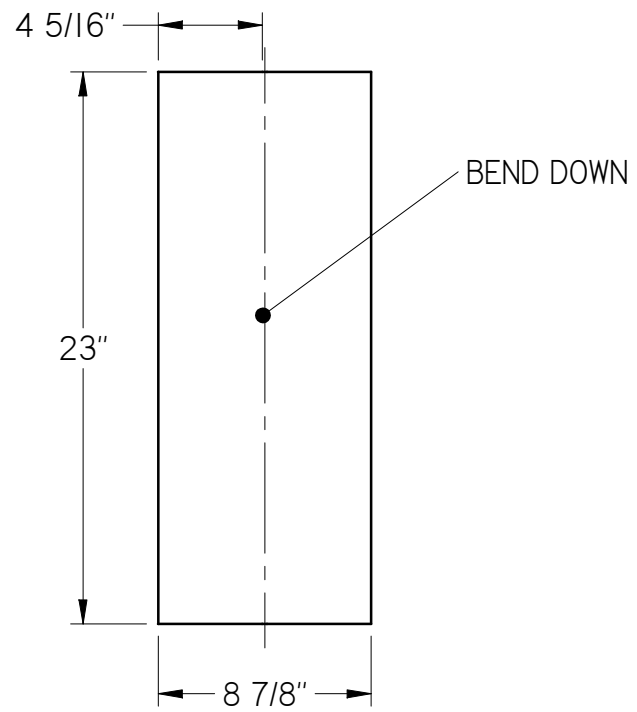
ALL MATERIAL IS 5052 .063W ALUMINUM

THIS DOCUMENT IS FOR THE SOLE USE OF INDIVIDUALS AND IS NOT INTENDED TO BE COPIED OR DISTRIBUTED WITHOUT PERMISSION FROM SPIRAL ARTS, INC.

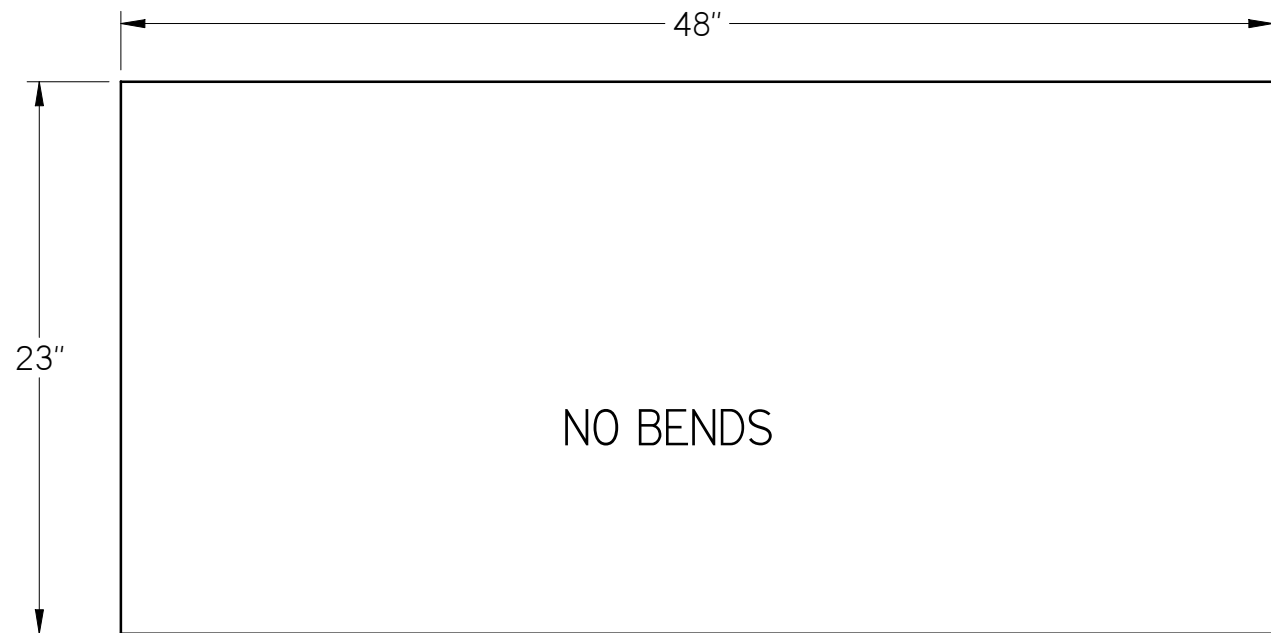
975 DAY TANK	SPIRAL ARTS		
	ALUMINUM LAYOUT SHEET 2 of 3		
LICENSED TO: PUBLIC DOMAIN		Date 9/13/2005	
File: aluminum.dft		Copyright Spiral Arts 2002	Drawn by Fred Metz



LOWER SIDES (2)



LOWER CORNERS (4)

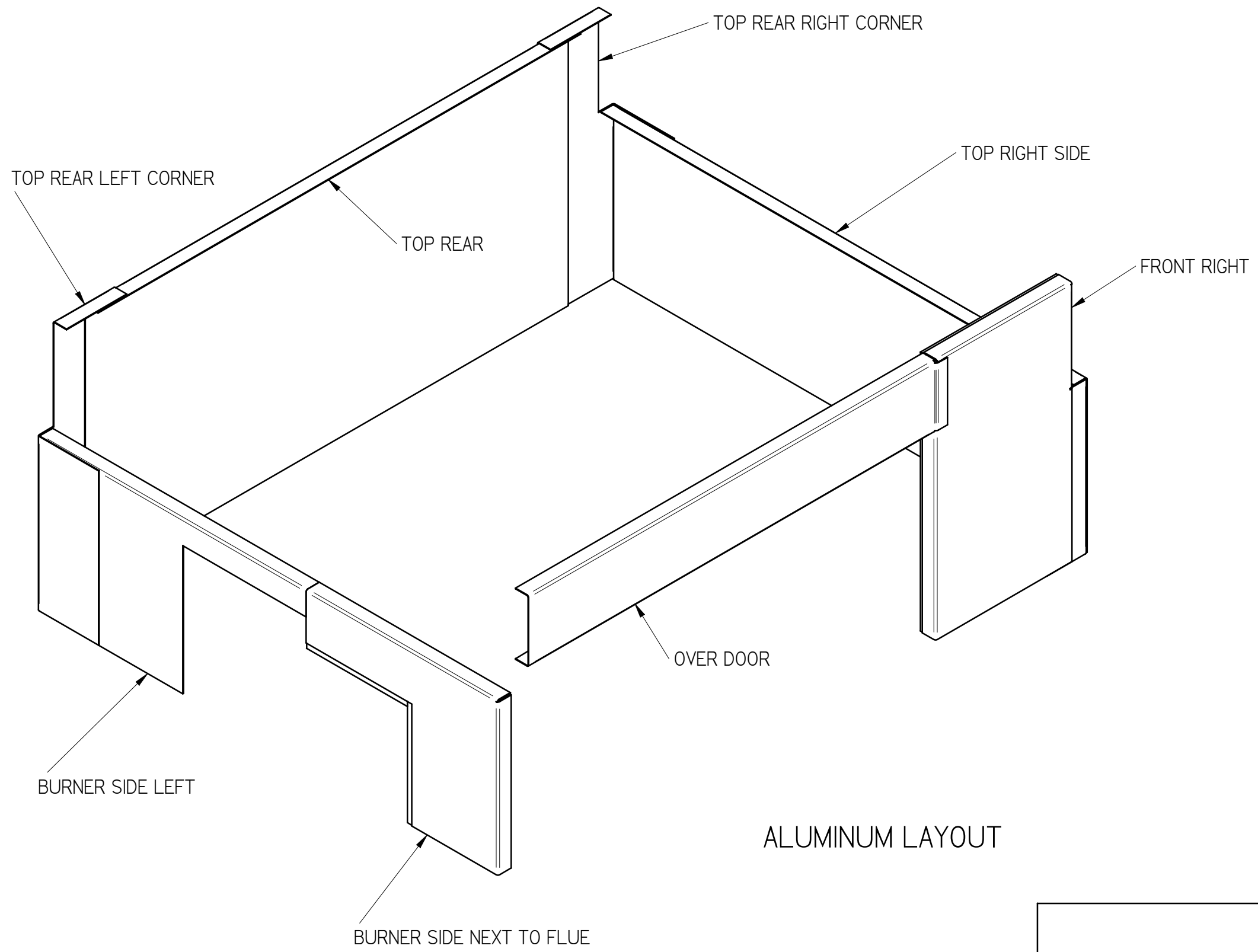


LOWER REAR

ALL MATERIAL IS 5052 .063W ALUMINUM

THIS DOCUMENT IS FOR THE SOLE USE OF INDIVIDUALS AND IS NOT INTENDED TO BE COPIED OR DISTRIBUTED WITHOUT PERMISSION FROM SPIRAL ARTS, INC.

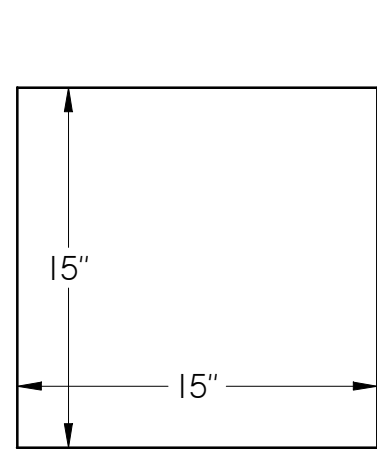
975 DAY TANK	SPIRAL ARTS		
	ALUMINUM LAYOUT SHEET 3 of 3		
LICENSED TO: PUBLIC DOMAIN		Date 9/13/2005	
File: aluminum.dft		Copyright Spiral Arts 2002	Drawn by Fred Metz



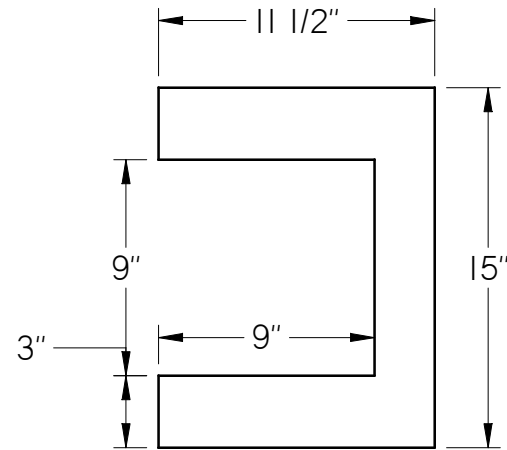
ALUMINUM LAYOUT

THIS DOCUMENT IS FOR THE SOLE USE OF INDIVIDUALS AND IS NOT INTENDED TO BE COPIED OR DISTRIBUTED WITHOUT PERMISSION FROM SPIRAL ARTS, INC.

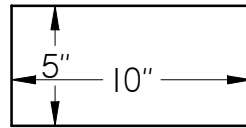
975 DAY TANK	SPIRAL ARTS		
	ALUMINUM LAYOUT 3D		
LICENSED TO: PUBLIC DOMAIN		Date 9/13/2005	
File: aluminum.dft		Copyright Spiral Arts 2002	Drawn by Fred Metz



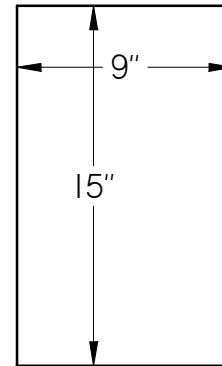
LEFT OF BURNER



AROUND BURNER

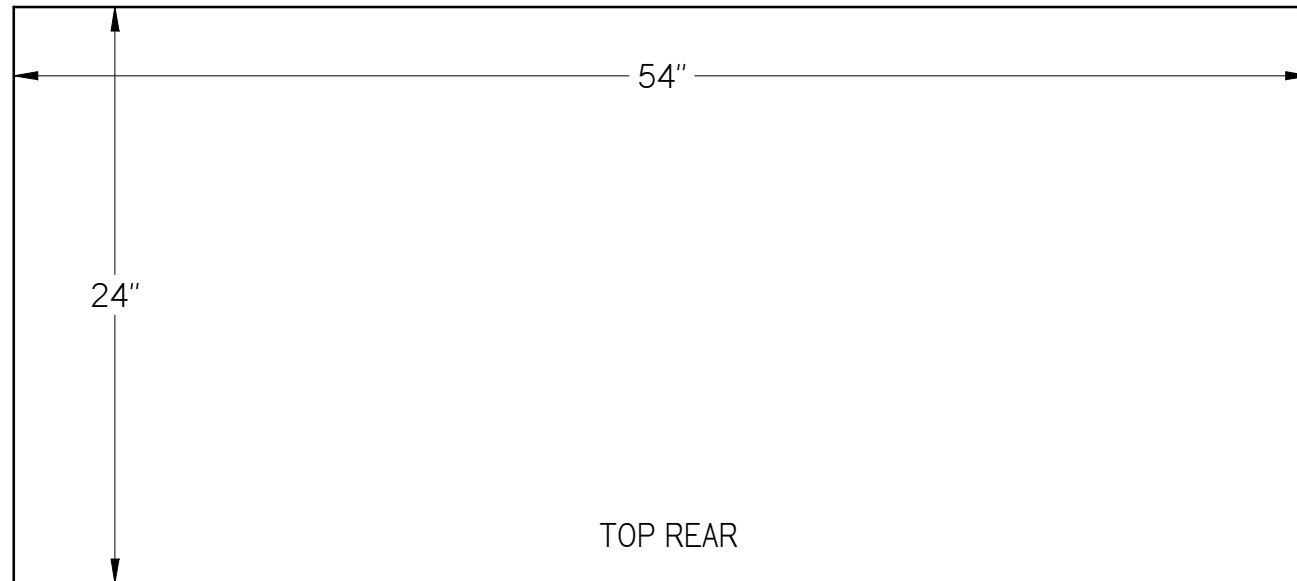


OVER FLUE

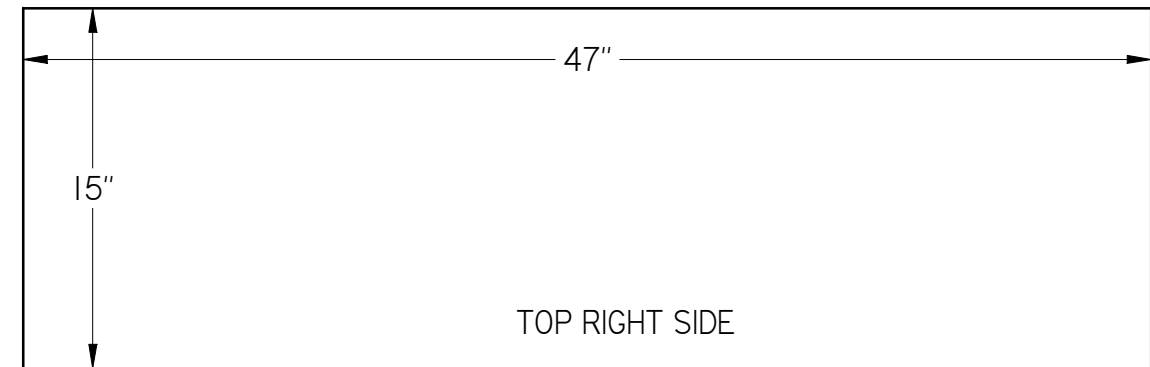


RIGHT OF FLUE

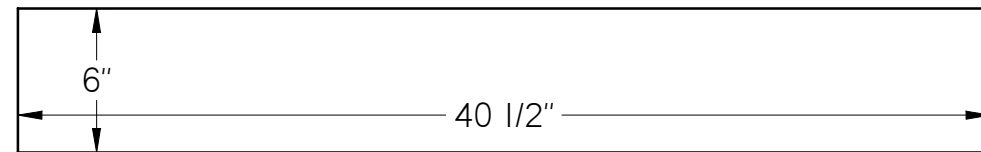
ALL FRAX BOARD IS 1" MEDIUM DENSITY 2,300°



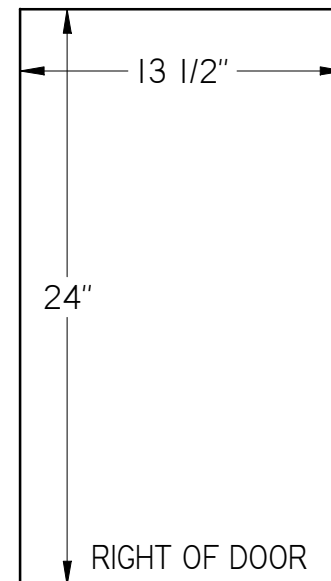
TOP REAR



TOP RIGHT SIDE



ABOVE DOOR



RIGHT OF DOOR

THIS DOCUMENT IS FOR THE SOLE USE OF INDIVIDUALS AND IS NOT INTENDED TO BE COPIED OR DISTRIBUTED WITHOUT PERMISSION FROM SPIRAL ARTS, INC.

975 DAY TANK	SPIRAL ARTS		
	FRAX BOARD		
LICENSED TO: PUBLIC DOMAIN		Date 9/13/2005	
File: aluminum.dft		Copyright Spiral Arts 2002	Drawn by Fred Metz