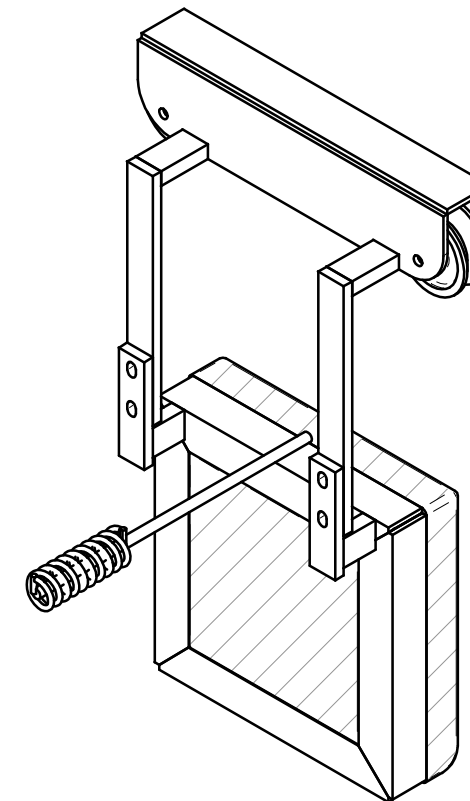
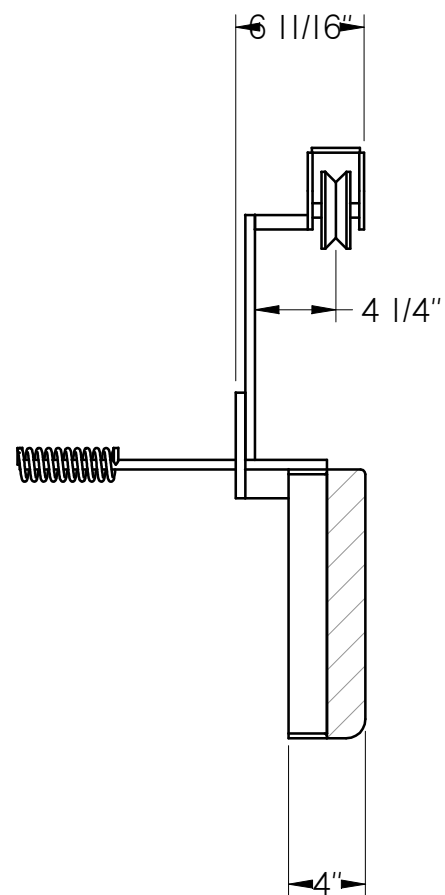
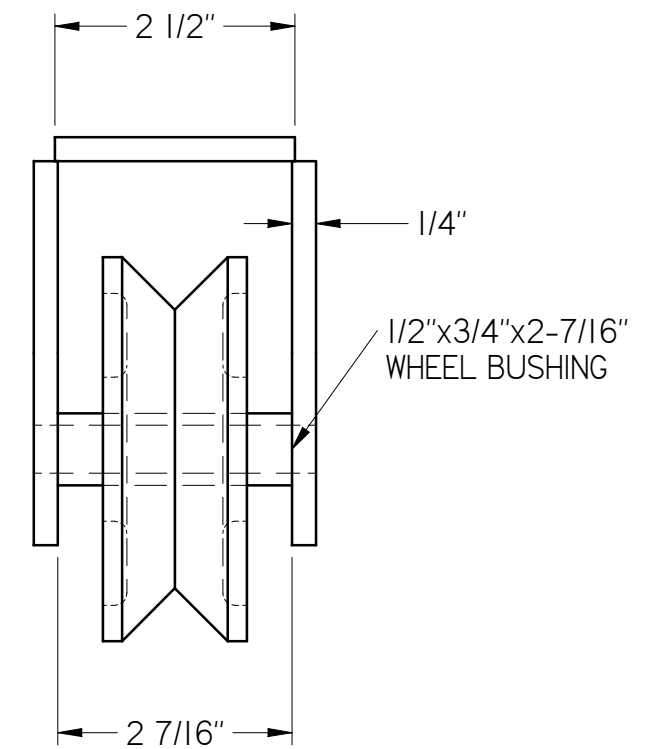
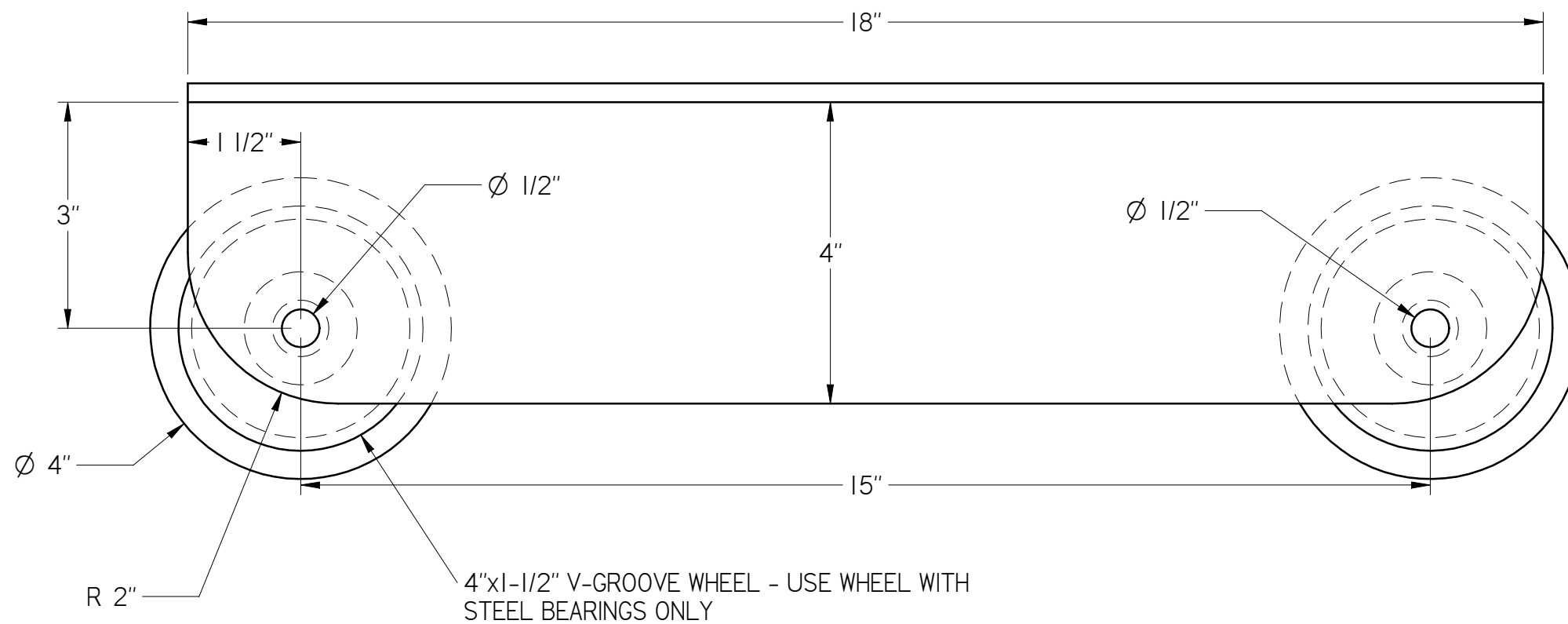
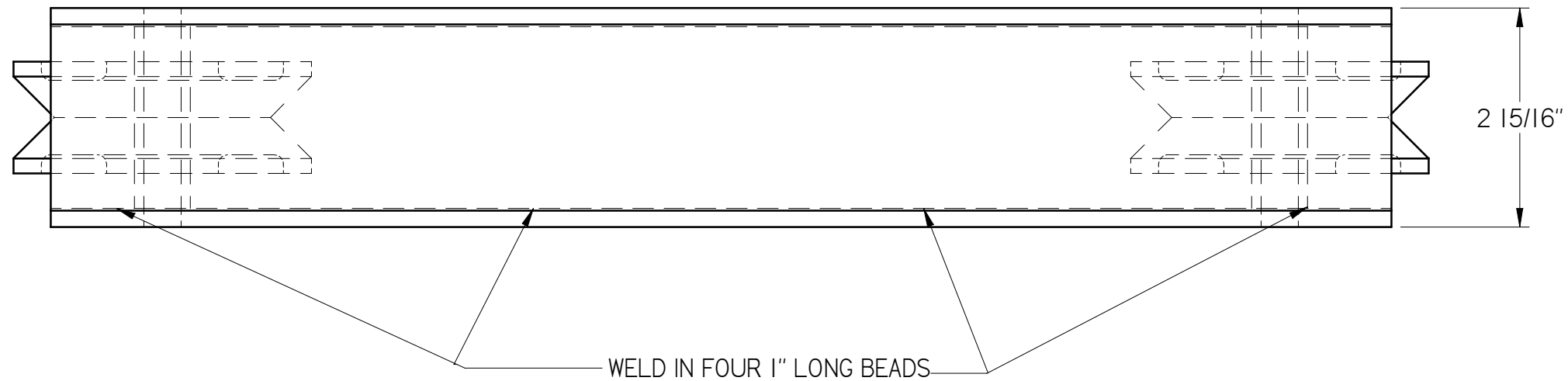


PRYOR GIGGEY
INTRACAST MZ
OR EQ. REQUIRES AT
LEAST 80# OF MATERIAL



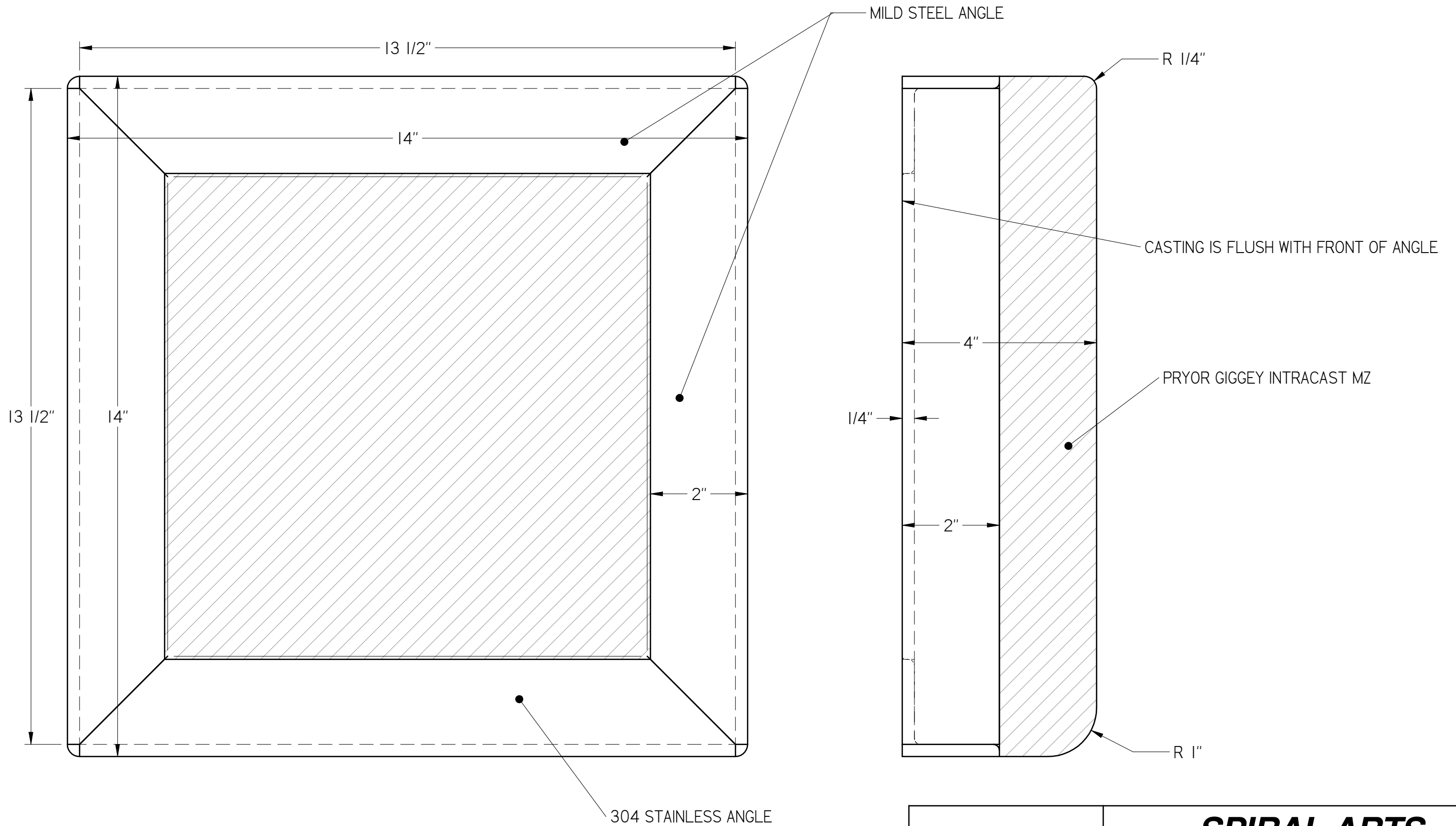
THIS DOCUMENT IS FOR THE SOLE USE OF INDIVIDUALS
AND IS NOT INTENDED TO BE COPIED OR DISTRIBUTED
WITHOUT PERMISSION FROM SPIRAL ARTS, INC.

975# DAY TANK	SPIRAL ARTS		
	DOOR ASSEMBLY		
LICENSED TO: PUBLIC DOMAIN		Date 9/13/2005	
File: Door assembly.dft		Copyright Spiral Arts 2002	Drawn by Fred Metz



THIS DOCUMENT IS FOR THE SOLE USE OF INDIVIDUALS AND IS NOT INTENDED TO BE COPIED OR DISTRIBUTED WITHOUT PERMISSION FROM SPIRAL ARTS, INC.

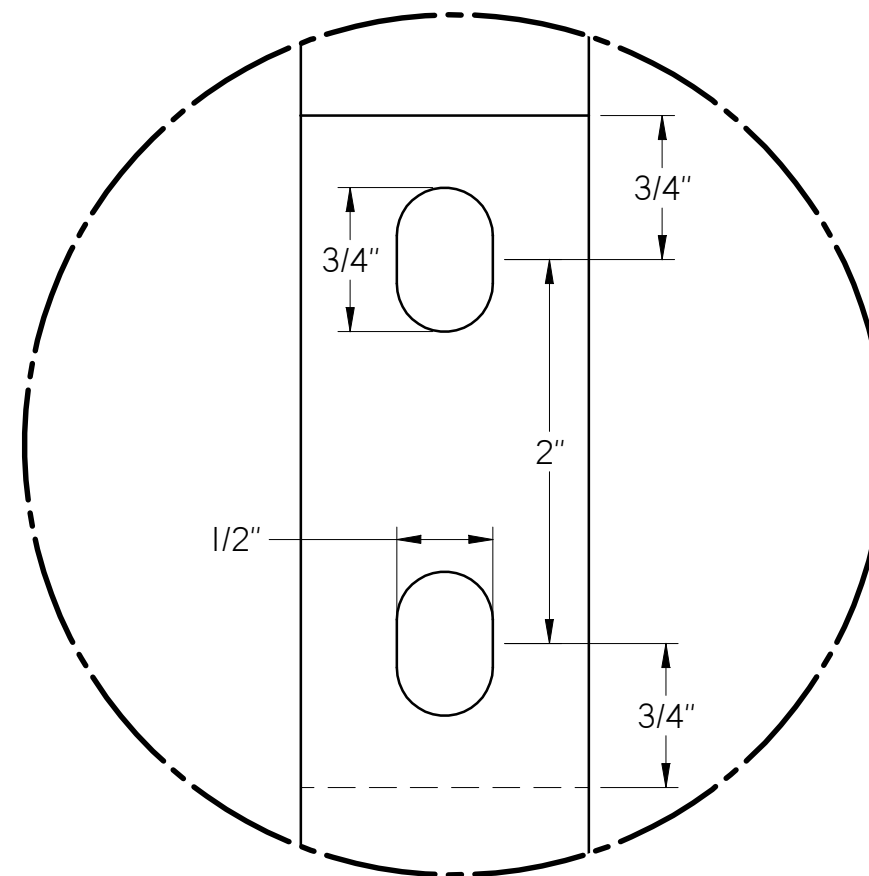
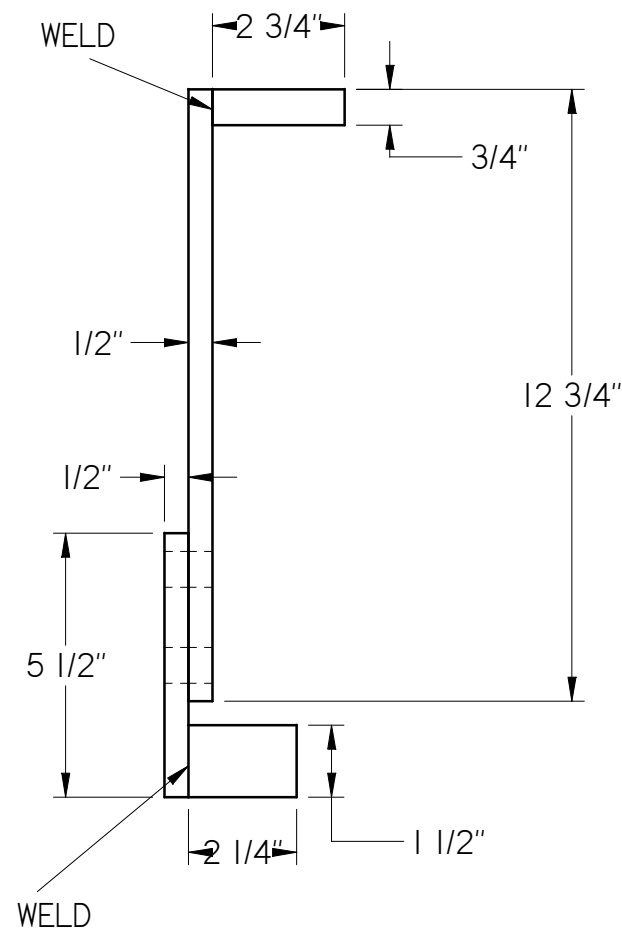
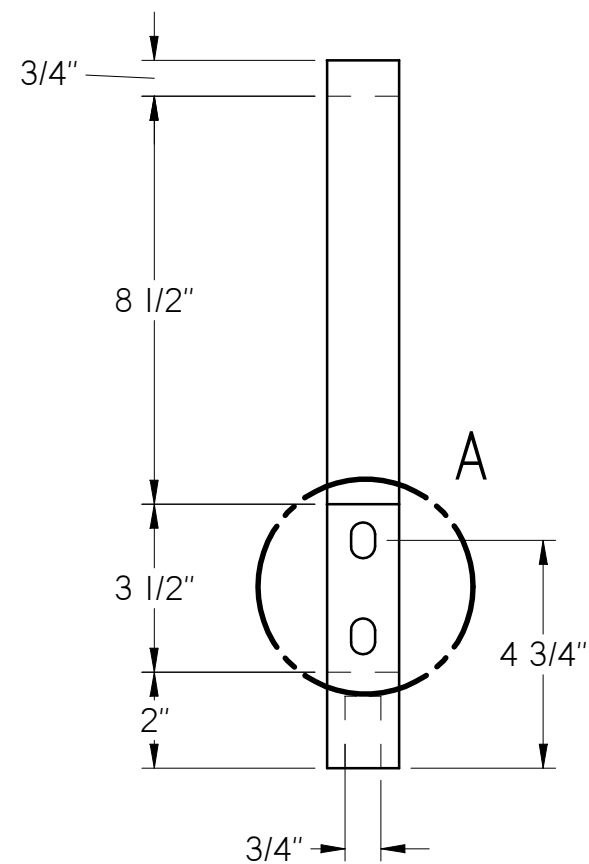
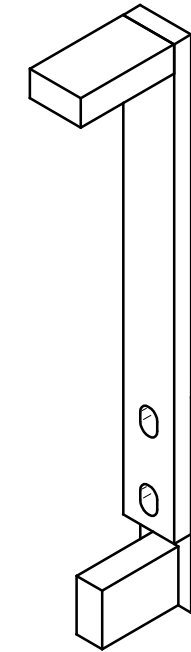
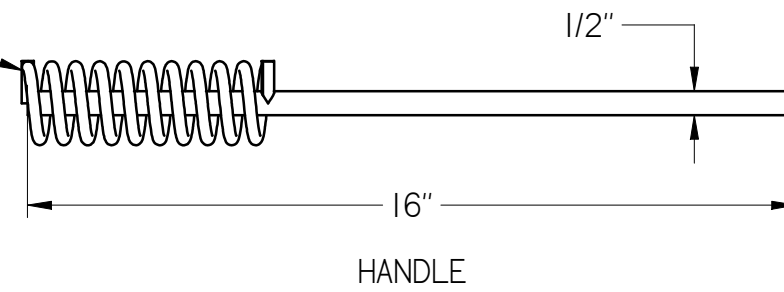
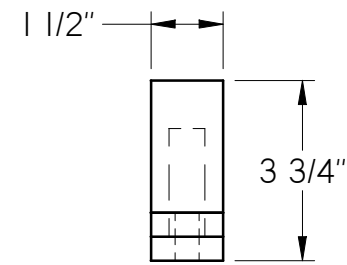
975# DAY TANK	SPIRAL ARTS		
	DOOR CARRIAGE		
LICENSED TO: PUBLIC DOMAIN		Date 9/13/2005	
File: Door assembly.dft		Copyright Spiral Arts 2002	Drawn by Fred Metz



THIS DOCUMENT IS FOR THE SOLE USE OF INDIVIDUALS AND IS NOT INTENDED TO BE COPIED OR DISTRIBUTED WITHOUT PERMISSION FROM SPIRAL ARTS, INC.

975# DAY TANK	SPIRAL ARTS		
	DOOR FRAME		
LICENSED TO: PUBLIC DOMAIN		Date 9/13/2005	
File: Door assembly.dft		Copyright Spiral Arts 2002	Drawn by Fred Metz

LARGE SPRING OR 1/4" ROUND WRAPPED
AROUND 1" PIPE



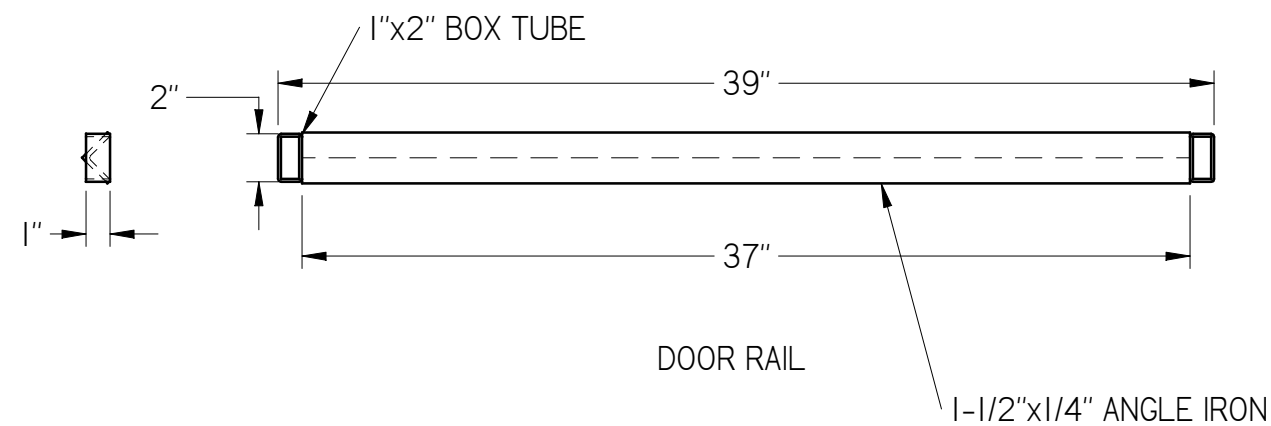
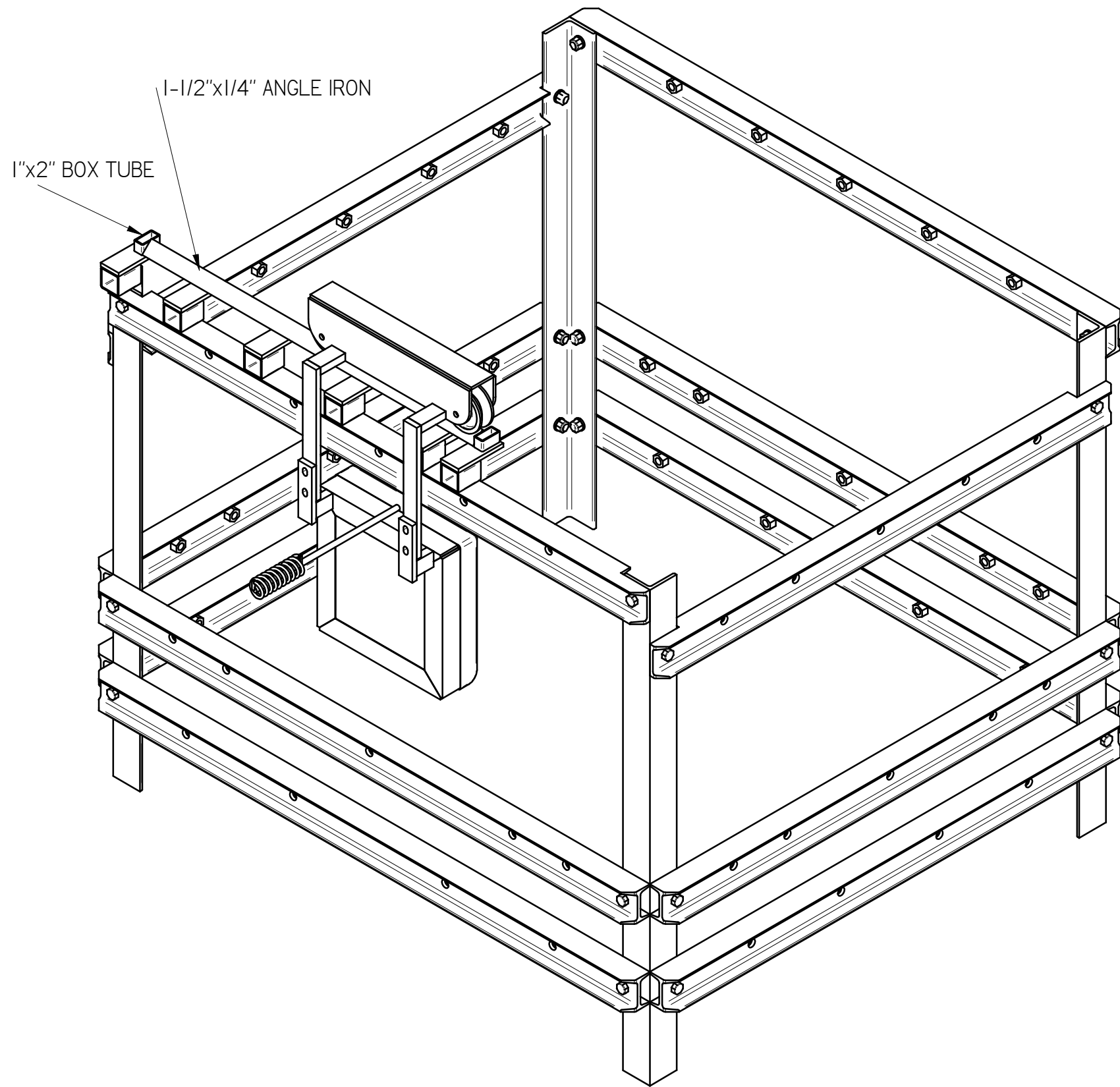
DETAIL A

ALL MATERIAL USE IS FROM
MILD STEEL FLAT BAR

UPPER BAR IS BOLTED TO LOWER BAR - OVAL
HOLES ALLOW FOR ADJUSTMENT

THIS DOCUMENT IS FOR THE SOLE USE OF INDIVIDUALS
AND IS NOT INTENDED TO BE COPIED OR DISTRIBUTED
WITHOUT PERMISSION FROM SPIRAL ARTS, INC.

975# DAY TANK	SPIRAL ARTS		
	DOOR HANGER ASSEMBLY		
LICENSED TO: PUBLIC DOMAIN		Date 9/13/2005	
File: Door assembly.dft		Copyright Spiral Arts 2002	Drawn by Fred Metz



THIS DOCUMENT IS FOR THE SOLE USE OF INDIVIDUALS AND IS NOT INTENDED TO BE COPIED OR DISTRIBUTED WITHOUT PERMISSION FROM SPIRAL ARTS, INC.

975# DAY TANK	SPIRAL ARTS		
	Mounting Detail		
LICENSED TO: PUBLIC DOMAIN		Date 9/13/2005	
File: Door assembly.dft		Copyright Spiral Arts 2002	Drawn by Fred Metz